

## Data sheet

Commercial Art.No.: 70.344.4835.1

bottom BAS GUT GR 48 M40 50 A1

Bottom-base revos basic made of aluminum, with single locking lever and threaded hole M40 on the right and the left side, with protective cover, low version, 48-polig



|                    |               |
|--------------------|---------------|
| Commercial Art.No. | 70.344.4835.1 |
| EAN                | 4015573632325 |
| Order Unit         | 1             |

certificates / approvals



## Technical data

### general

|  |                     |
|--|---------------------|
| housing material   | aluminum            |
| color  | grey                |
| surface  | with powder coating |
| degree of protection (IP)                                | other               |
| UV resistant   | yes                 |
| flammability class of insulation material acc. with UL94 | other               |
| operating temperature range min.                         | -40 °C              |
| operating temperature range max.                         | 120 °C              |

### model

|                        |                         |
|------------------------|-------------------------|
| construction           | 48                      |
| model of the housing   | surface mounting (base) |
| locking mechanism      | single locking lever    |
| cable entry            | two-sided               |
| type of cable          | thread                  |
| with cable screw gland | no                      |
| thread size M          | 40                      |
| thread size PG         |                         |
| hinged lid             | yes                     |
| EMC-version            | no                      |
| length                 | 146 mm                  |
| width                  | 120 mm                  |
| height                 | 117 mm                  |

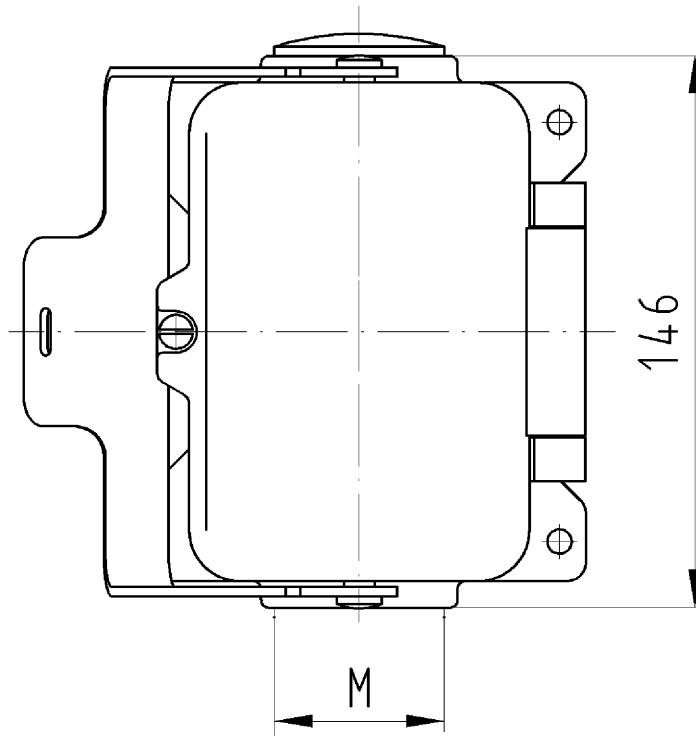
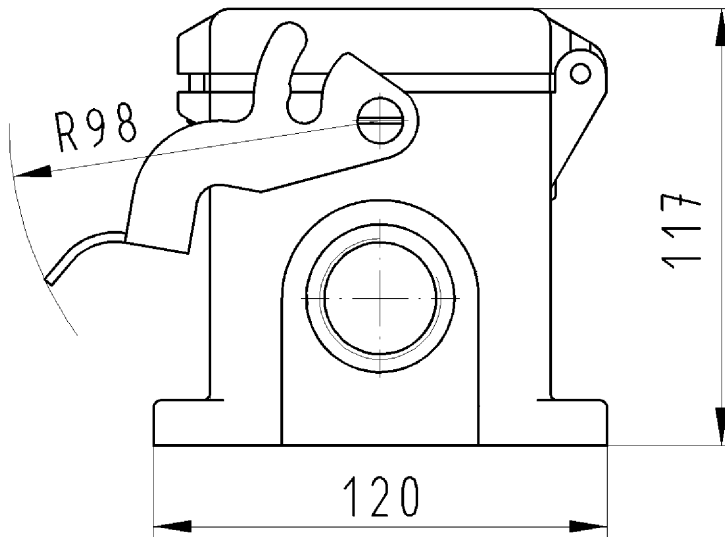
### classification

|            |          |
|------------|----------|
| ECLASS 11  |          |
| ECLASS 8.1 | 27440202 |
| ETIM 9.0   | EC000437 |
| ETIM 8.0   | EC000437 |
| ETIM 7.0   | EC000437 |
| ETIM 6.0   | EC000437 |
| ETIM 5.0   | EC000437 |

|          |          |
|----------|----------|
| ETIM 4.0 | EC000437 |
| ETIM 3.0 | EC000437 |

**product compliance**

|                              |                    |
|------------------------------|--------------------|
| ROHS conformity status       | compliant/exempted |
| ROHS exceptions              | III-6(c)           |
| REACH-SVHC conformity status | Duty-To-Declare    |
| REACH-SVHC substances        | Lead               |
| REACH-SVHC CAS numbers       | 7439-92-1          |



Gehäuseunterteil  
 70.341.4835.1  
 70.344.4835.1

Zeichnungsnummer  
 70.341.4835.110W  
 Gehäuseunterteil

23.11.2007  
 Roppelt Dominik  
 M 1:2