

Data sheet

Commercial Art.No.: 70.340.2435.0

bottom BAS GUT GF 24 M25 A0

Bottom-base revos basic made of aluminum, for double locking lever with cable gland M25 on the left and right side, with protective cover (IP54), low version, 24-polig



Commercial Art.No.	70.340.2435.0
EAN	4015573618053
Order Unit	1

certificates / approvals



Technical data

general

housing material	aluminum
color	grey
surface	with powder coating
degree of protection (IP)	IP54
UV resistant	yes
flammability class of insulation material acc. with UL94	other
operating temperature range min.	-40 °C
operating temperature range max.	120 °C

model

construction	24
model of the housing	surface mounting (base)
locking mechanism	double locking levers
cable entry	two-sided
type of cable	gland nut
with cable screw gland	yes
thread size M	25
thread size PG	
hinged lid	yes
EMC-version	no
length	144 mm
width	57 mm
height	57 mm

classification

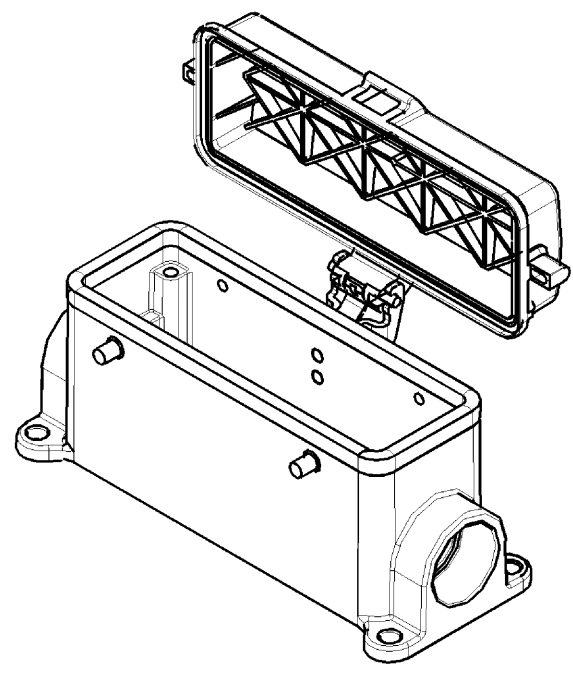
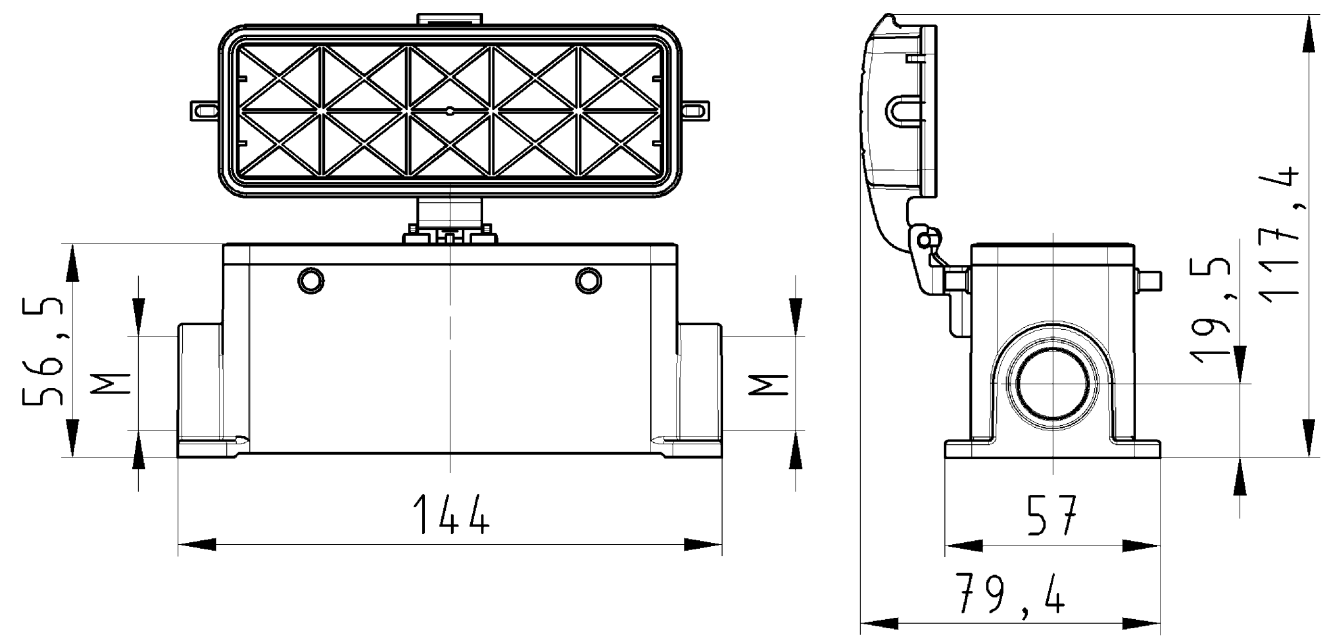
ECLASS 11	
ECLASS 8.1	27440202
ETIM 9.0	EC000437
ETIM 8.0	EC000437
ETIM 7.0	EC000437
ETIM 6.0	EC000437
ETIM 5.0	EC000437
ETIM 4.0	EC000437
ETIM 3.0	EC000437

product compliance

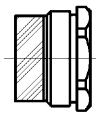
ROHS conformity status	compliant/exempted
ROHS exceptions	III-6(c)
REACH-SVHC conformity status	Duty-To-Declare
REACH-SVHC substances	Lead
REACH-SVHC CAS numbers	7439-92-1

These dimensions will be especially checked at delivery
 Only inspection dimensions
 With ±-marked dimensions are only valid for internal use

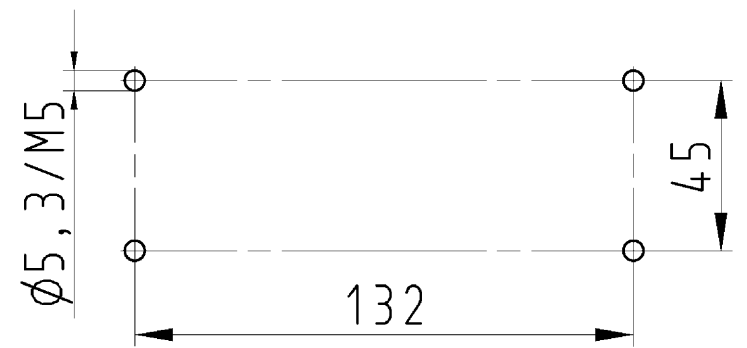
Diese Maße werden bei Abnahme besonders geprüft
 Ausschließlich Prüfmaße
 Mit ±-gekennzeichnete Maße sind nur für interne Zwecke gültig



Varianten/Variants
 .0



70.340.2435.1	BAS GUT GF 24 M25 A 1	Gewindebohrung thread hole	X
70.340.2435.0	BAS GUT GF 24 M25 A 0	Kabelverschraubung(KV), IP54,montiert /Cable gland(CG), IP54,assembled	
Bestellnummer /Order number	Typ /Type	Varianten /Variants	dar- gestellt /drawn
Weitere Daten siehe KATALOG oder eKatalog. Additional data see CATALOG or eCatalog.		www.wieland-electric.com eshop.wieland-electric.com	



Bohrbild
/Cut out

Tolerierung Size ISO 14405/Tolerance system Size ISO 14405. (This ISO-standard describes the envelope principle. According to the envelope principle the deviations of form and parallelism are limited by the size tolerances).		ja/yes <input checked="" type="checkbox"/> Stoffverbots- und Deklarationsliste nach UU-TOM-05/03 ist einzuhalten. Conformity with Wieland document UU-TOM-05/03 (list of prohibited / declarable hazardous substances) to be declared!	
Freitoleranz nach General tolerance		CAD - Zeichnung, keine manuellen Änderungen CAD - drawing, no manual modifications allowed	1.Verwendung: First Use:
Blatt: 1 von 1 Sheet: of 1		Zeichnung Nr./Drawing No.	
Index		70.340.2435.0 13K	
Änderung/Revision		Maße in mm/Dimensions are in mm	
Werkstoff/Material Aluminium beschichtet/coated grau/grey		2013 gezeichnet drawn 15.03. geprüft checked Normgepr. Stand. check	Name Hoffmann
Vol. mm³		Ersatz für/Replacement for: -	
wieland Elektrische Verbindungen		Type revos BASIC	Benennung/Titel GEHAEUSEUNTERTEIL Baugröße 24-Kabelabgang seitlich-2x M25 Housing size 24-cable outlet side-2x M25

Weitergabe sowie Vervielfältigung dieses Dokuments, Verwertung und Mitteilung seines Inhalts sind verboten, soweit nicht ausdrücklich gestattet.
 The reproduction, distribution and utilization of this document as well as the communication of its contents to others without express authorization is prohibited.

703402435013K_2 CADW3028_Treschan 2013-09-20T12:46:21 1.000