

Data sheet

Commercial Art.No.: 70.340.1035.0

bottom BAS GUT GF 10 M20 A0

Bottom-base revos basic made of aluminum, for double locking lever with cable gland M20 on the left and right side, with protective cover (IP54), low version, 10-polig



| | |
|--------------------|---------------|
| Commercial Art.No. | 70.340.1035.0 |
| EAN | 4015573618015 |
| Order Unit | 1 |

certificates / approvals



Technical data

general

| | |
|--|---------------------|
| housing material | aluminum |
| color | grey |
| surface | with powder coating |
| degree of protection (IP) | IP54 |
| UV resistant | yes |
| flammability class of insulation material acc. with UL94 | other |
| operating temperature range min. | -40 °C |
| operating temperature range max. | 120 °C |

model

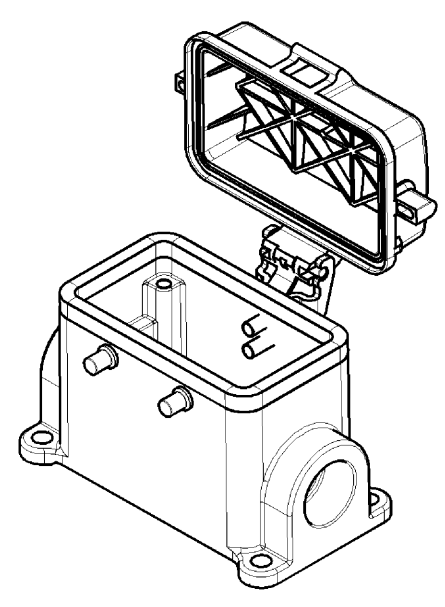
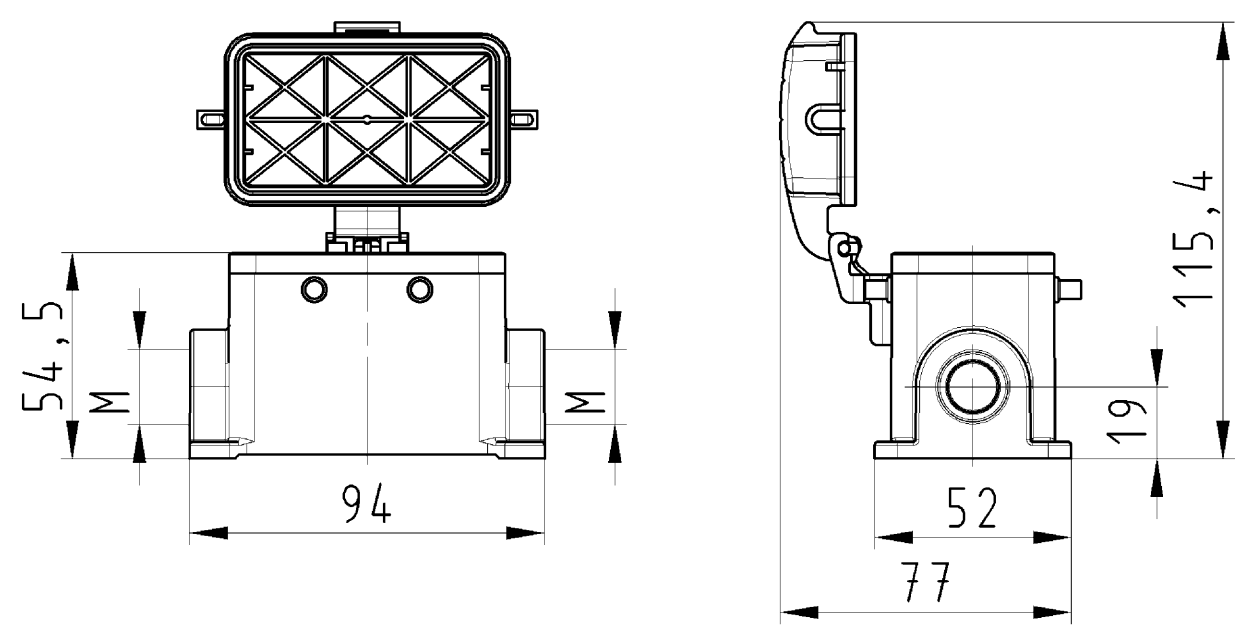
| | |
|------------------------|-------------------------|
| construction | 10 |
| model of the housing | surface mounting (base) |
| locking mechanism | double locking levers |
| cable entry | two-sided |
| type of cable | gland nut |
| with cable screw gland | yes |
| thread size M | 20 |
| thread size PG | |
| hinged lid | yes |
| EMC-version | no |
| length | 94 mm |
| width | 52 mm |
| height | 55 mm |

classification

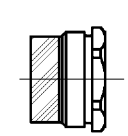
| | |
|------------|----------|
| ECLASS 11 | |
| ECLASS 8.1 | 27440202 |
| ETIM 9.0 | EC000437 |
| ETIM 8.0 | EC000437 |
| ETIM 7.0 | EC000437 |
| ETIM 6.0 | EC000437 |
| ETIM 5.0 | EC000437 |
| ETIM 4.0 | EC000437 |

product compliance

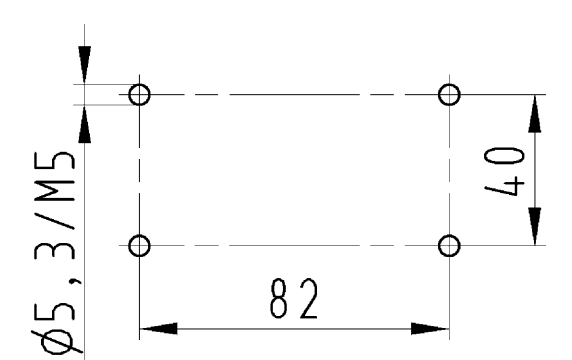
| | |
|------------------------------|--------------------|
| ROHS conformity status | compliant/exempted |
| ROHS exceptions | III-6(c) |
| REACH-SVHC conformity status | Duty-To-Declare |
| REACH-SVHC substances | Lead |
| REACH-SVHC CAS numbers | 7439-92-1 |



Varianten/Variants
.0



| | | | | |
|---|-----------------------|----------------------|---|----------------------|
| 70.340.1035.1 | BAS GUT GF 10 M25 A 1 | M20 | Gewindebohrung / Thread hole | X |
| 70.340.1035.0 | BAS GUT GF 10 M25 A 0 | M20 | Kabelverschraubung(KV), IP54 montiert / Cable gland(CG), IP54 assembled | |
| Bestellnummer / Order number | Typ / Type | Varianten / Variants | | dar-gestellt / drawn |
| Weitere Daten siehe KATALOG oder eKatalog. / Additional data see CATALOG or eCatalog. | | | www.wieland-electric.com eshop.wieland-electric.com | |



Bohrbild / Cut out

| | | | |
|---|-------------------------------|---|---|
| Tolerierung Size ISO 14405/Tolerance system Size ISO 14405. (This ISO-standard describes the envelope principle. According to the envelope principle the deviations of form and parallelism are limited by the size tolerances). | | ja/yes <input checked="" type="checkbox"/> Stoffverbots- und Deklarationsliste nach UU-TQM-05/03 ist einzuhalten. Conformity with Wieland document UU-TQM-05/03 (list of prohibited / declarable hazardous substances) to be declared! | |
| Freitoleranz nach General tolerance | | CAD - Zeichnung, keine manuellen Änderungen CAD - drawing, no manual modifications allowed | 1. Verwendung: - First Use: |
| Blatt: 1 von 1 Sheet: of 1 | | Zeichnung Nr./Drawing No. Index | |
| T | | 70.340.1035.0 13K | |
| Maße in mm/Dimensions are in mm | | | |
| Werkstoff/Material Aluminium beschichtet/coated grau/grey | | 2013 gezeichnet/drawn 22.05. geprüft/checked Normgepr. / Stand. check | Name Treschan |
| Vol. mm³ | | Ersatz für/Replacement for: - | |
| wieland Elektrische Verbindungen | | Type revos BASIC | Benennung/Titel GEHAEUSEUNTERTEIL Baugröße 10-Kabelabgang 2x M20/M25 Housing size 10-cable outlet 2x M20/M25 |
| Index | Datum / Blatt Date / Sheet | Änderung/Revision | |

These dimensions will be especially checked at delivery
Only inspection dimensions
With ±-marked dimensions are only valid for internal use

Diese Maße werden bei Abnahme besonders geprüft
Ausschließlich Prüfmaße
Mit ±-gekennzeichnete Maße sind nur für interne Zwecke gültig

Weitergabe sowie Vervielfältigung dieses Dokuments, Verwertung und Mitteilung seines Inhalts sind verboten, soweit nicht ausdrücklich gestattet.
The reproduction, distribution and utilization of this document as well as the communication of its contents to others without express authorization is prohibited.

703401035013K_2 CADW3028 Treschan 2013-09-20T12:45:48 1.000