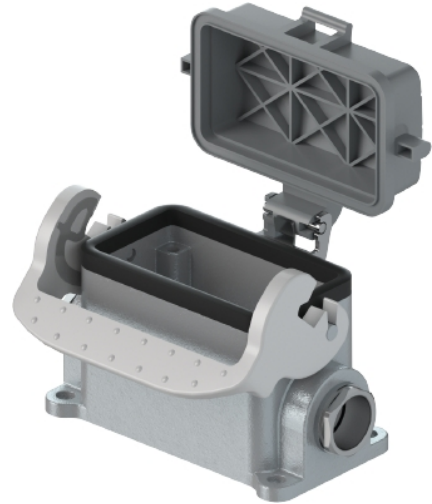


Data sheet

Commercial Art.No.: 70.340.0635.0

bottom BAS GUT GR 6 M20 A0

Bottom-base revos basic made of aluminum, with single locking lever and cable gland M20 on the right and the left side, with protective cover (IP54), low version, 6-polig



Commercial Art.No.	70.340.0635.0
EAN	4015573617490
Order Unit	1

certificates / approvals



Technical data

general

housing material	aluminum
color	grey
surface	with powder coating
degree of protection (IP)	IP54
UV resistant	yes
flammability class of insulation material acc. with UL94	other
operating temperature range min.	-40 °C
operating temperature range max.	120 °C

model

construction	6
model of the housing	surface mounting (base)
locking mechanism	single locking lever
cable entry	two-sided
type of cable	gland nut
with cable screw gland	yes
thread size M	20
thread size PG	
hinged lid	yes
EMC-version	no
length	84 mm
width	52 mm
height	54.7 mm

classification

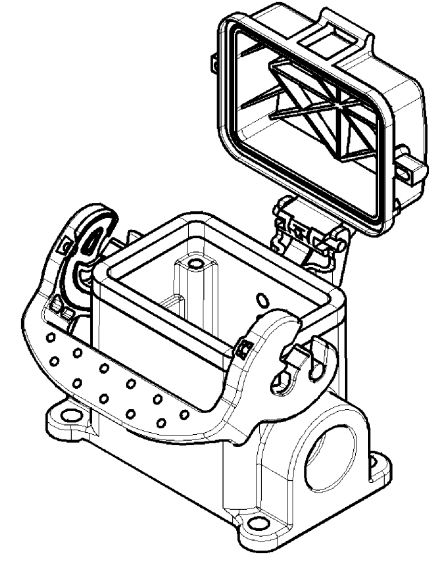
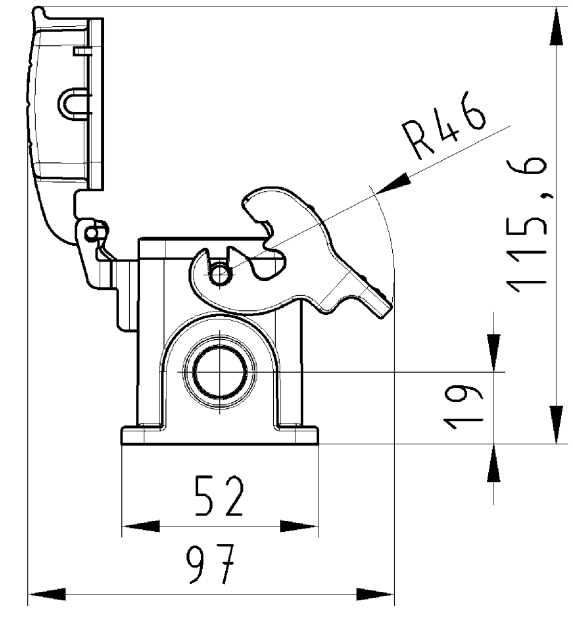
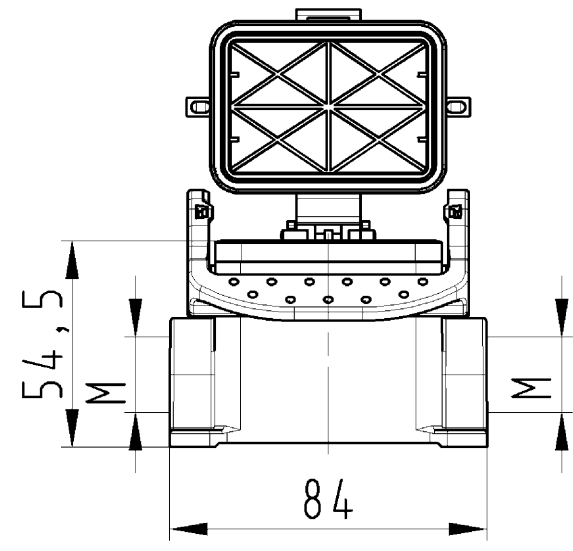
ECLASS 11	
ECLASS 8.1	27440202
ETIM 9.0	EC000437
ETIM 8.0	EC000437
ETIM 7.0	EC000437
ETIM 6.0	EC000437
ETIM 5.0	EC000437
ETIM 4.0	EC000437
ETIM 3.0	EC000437

product compliance

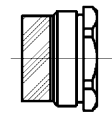
ROHS conformity status	compliant/exempted
ROHS exceptions	III-6(c)
REACH-SVHC conformity status	Duty-To-Declare
REACH-SVHC substances	Lead
REACH-SVHC CAS numbers	7439-92-1

These dimensions will be especially checked at delivery
 Only inspection dimensions
 With /E marked dimensions are only valid for internal use

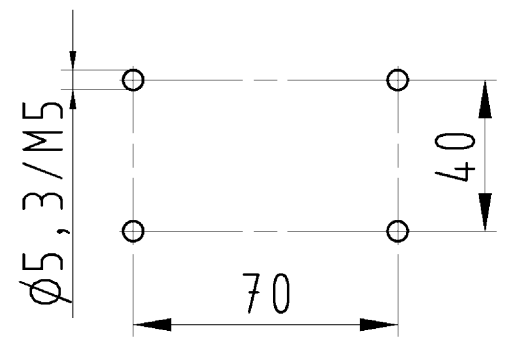
Diese Maße werden bei Abnahme besonders geprüft
 Ausschließlich Prüfmaße
 Mit /E gekennzeichnete Maße sind nur für interne Zwecke gültig



Varianten/Variants
 .0



70.340.0635.1	BAS GUT GR 6 M20 A 1	Gewindebohrung /Thread hole	X
70.340.0635.0	BAS GUT GR 6 M20 A 0	Kabelverschraubung(KV), IP54 montiert /Cable gland(CG), IP54 assembled	
Bestellnummer /Order number	Typ /Type	Varianten /Variants	dar-gestellt /drawn
Weitere Daten siehe KATALOG oder eKatalog. Additional data see CATALOG or eCatalog.		www.wieland-electric.com www.eshop.wieland-electric.com	



Bohrbild /Cut out

Tolerierung Size ISO 14405/Tolerance system Size ISO 14405.
 (This ISO-standard describes the envelope principle. According to the envelope principle the deviations of form and parallelism are limited by the size tolerances).

ja/yes Stoffverbots- und Deklarationsliste nach UU-TOM-05/03 ist einzuhalten.
 Conformity with Wieland document UU-TOM-05/03 (list of prohibited / declarable hazardous substances) to be declared!

Freitoleranz nach General tolerance: - - - - - CAD - Zeichnung, keine manuellen Änderungen CAD - drawing, no manual modifications allowed

1. Verwendung: First Use: - - - - - Blatt: 1 von 1 Sheet: of 1

Werkstoff/Material	2013	Tag/Date	Name	T	Zeichnung Nr./Drawing No.	Index
Aluminium	gezeichnet/drawn	07.03.	Hoffmann			
beschichtet/coated	geprüft/checked	-	-			
grau/grey	Normgepr. /Stand. check	-	-	Maße in mm/Dimensions are in mm		
Vol.	mm ³	Ofl./Surf.	mm ²	Ersatz für/Replacement for: -		
wieland		Type	Benennung/Tittle			
Elektrische Verbindungen		revos	GEHÄUSEUNTERTEIL			
Index		Datum / Blatt Date / Sheet		Baugröße 6-Kabelabgang 2x M20		
Änderung/Revision		Date / Sheet		Housing size 6-cable outlet 2x M20		

Weitergabe sowie Vervielfältigung dieses Dokuments, Verwertung und Mitteilung seines Inhalts sind verboten, soweit nicht ausdrücklich gestattet.
 The reproduction, distribution and utilization of this document as well as the communication of its contents to others without express authorization is prohibited.

703400635013K_2 CADW/3028_Treschan 2013-09-20T12:45:27 1.000