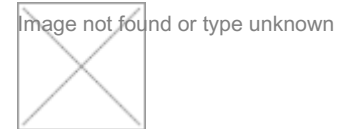


Data sheet

Commercial Art.No.: 70.331.4835.0

bottom BAS GUT GM 48 M32 50 A0

Bottom-base revos basic made of aluminum, with single locking lever and cable gland M32 on the left side (IP54), low version, 48-polig



Commercial Art.No.	70.331.4835.0
EAN	4015573658844
Order Unit	1

certificates / approvals



Technical data

general

housing material	aluminum
color	grey
surface	with powder coating
degree of protection (IP)	IP54
UV resistant	yes
flammability class of insulation material acc. with UL94	other
operating temperature range min.	-40 °C
operating temperature range max.	120 °C

model

construction	48
model of the housing	surface mounting (base)
locking mechanism	single locking lever
cable entry	sideways
type of cable	gland nut
with cable screw gland	yes
thread size M	32
thread size PG	
hinged lid	no
EMC-version	no
length	146 mm
width	120 mm
height	101 mm

classification

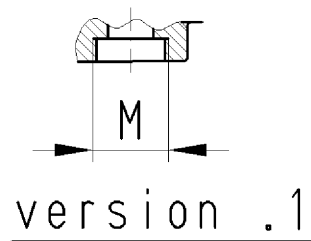
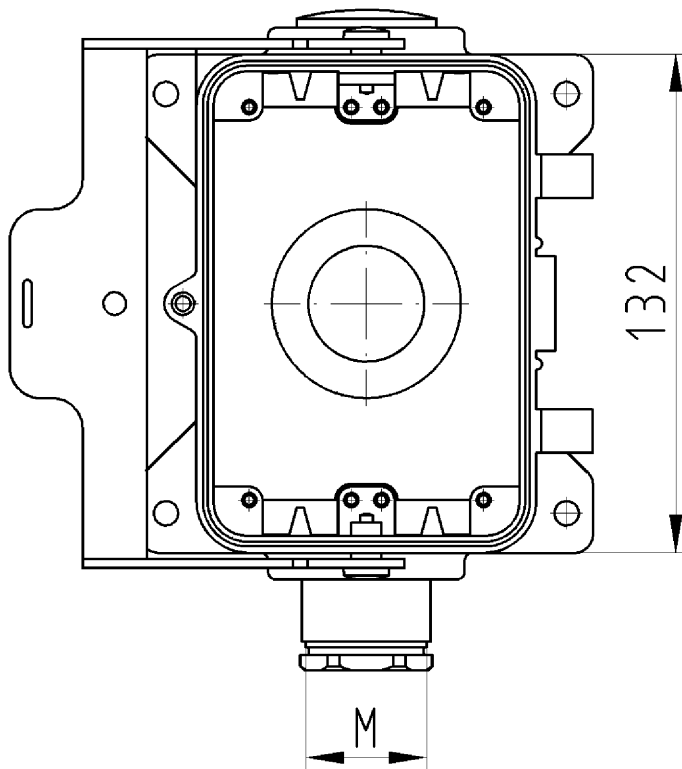
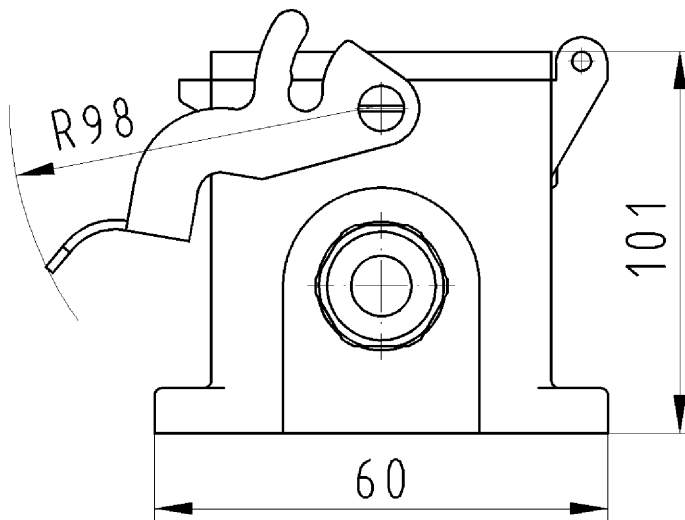
ECLASS 11	
ECLASS 8.1	27440202
ETIM 9.0	EC000437
ETIM 8.0	EC000437
ETIM 7.0	EC000437
ETIM 6.0	EC000437
ETIM 5.0	EC000437

ETIM 4.0	EC000437
ETIM 3.0	EC000437

product compliance

ROHS conformity status	compliant/exempted
ROHS exceptions	III-6(c)
REACH-SVHC conformity status	Duty-To-Declare
REACH-SVHC substances	Lead
REACH-SVHC CAS numbers	7439-92-1

version .0



version .1

Gehäuseunterteil
70.331.4835.0

Zeichnungsnummer
70.331.4835.010W
Gehäuseunterteil

29.11.2007
Hoffmann Angelika
M 1:2

Weitergabe sowie Vervielfältigung dieses Dokuments, Verwertung und Mitteilung seines Inhalts sind verboten, soweit nicht ausdrücklich gestattet.
The reproduction, distribution and utilization of this document as well as the communication of its contents to others without express authorization is prohibited.