

Data sheet

Commercial Art.No.: 70.320.1628.0

bottom BAS GUT GA 16 A

Bottom-base revos basic made of aluminum, with double locking lever or screw cap, low version, 16-poles



Commercial Art.No.	70.320.1628.0
EAN	4015573220089
Order Unit	1

certificates / approvals



Technical data

general

housing material	aluminum
color	grey
surface	with powder coating
degree of protection (IP)	IP54
UV resistant	yes
flammability class of insulation material acc. with UL94	other
operating temperature range min.	-40 °C
operating temperature range max.	120 °C

model

construction	16
model of the housing	equipment mounted (feed-through)
locking mechanism	double locking levers
cable entry	none
type of cable	none
with cable screw gland	no
thread size PG	
hinged lid	no
EMC-version	no
length	113 mm
width	44 mm
height	28 mm

classification

ECLASS 11	
ECLASS 8.1	27440202
ETIM 9.0	EC000437
ETIM 8.0	EC000437

ETIM 7.0	EC000437
ETIM 6.0	EC000437
ETIM 5.0	EC000437
ETIM 4.0	EC000437

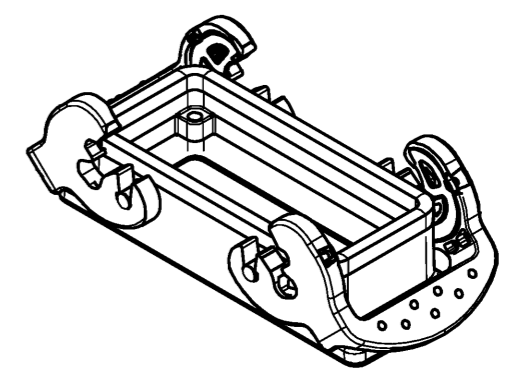
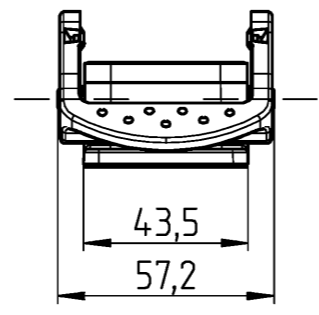
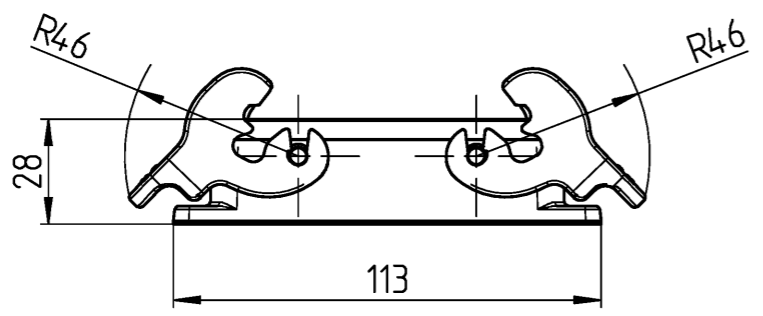
product compliance

ROHS conformity status	compliant/exempted
ROHS exceptions	III-6(c)
REACH-SVHC conformity status	Duty-To-Declare
REACH-SVHC substances	Lead
REACH-SVHC CAS numbers	7439-92-1

A
 Weitergabe sowie Vervielfältigung dieses Dokuments, Verwertung und Mitteilung seines Inhalts sind verboten, soweit nicht ausdrücklich gestattet.
 The reproduction, distribution and utilization of this document as well as the communication of its contents to others without express authorization is prohibited.

B
 These dimensions will be especially checked at delivery
 Only inspection dimensions
 With /E marked dimensions are only valid for internal use

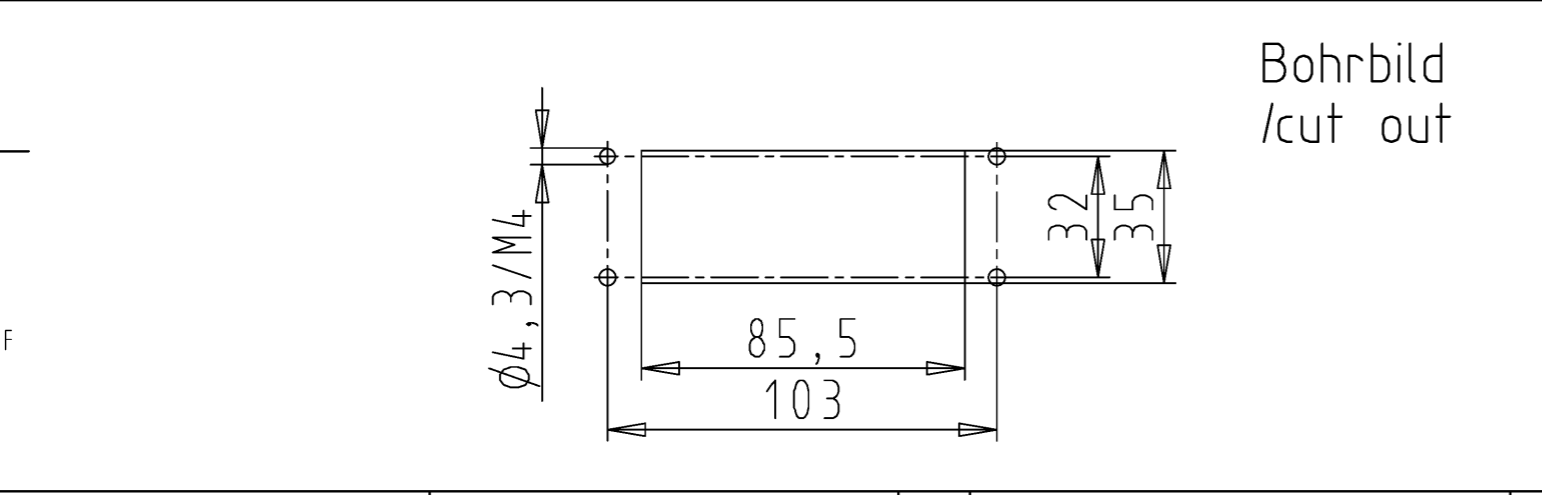
C
 Diese Maße werden bei Abnahme besonders geprüft
 Ausschließlich Prüfmaße
 Mit /E gekennzeichnete Maße sind nur für interne Zwecke gültig



70.XXX.XXXX.X ^a
 entspricht/equivalent
 72.XXX.XXXX.X

Bestellnummer /order number	Typ /type
70.320.1628.0	BAS GUT GA 16 A

Weitere Daten siehe KATALOG oder eKatalog
 additional data see CATALOG or eCATALOG
www.wieland-electric.com
eshop.wieland-electric.com



Tolerierung Size ISO 14405 © / Tolerance system Size ISO 14405 ©. (This ISO-standard describes the envelope principle. According to the envelope principle the deviations of form and parallelism are limited by the size tolerances).		ja/yes <input checked="" type="checkbox"/> Stoffverbots- und Deklarationsliste nach WN 5020.010 ist einzuhalten. Conformity with Wieland document WN 5020.010 e (list of prohibited / declarable hazardous substances) to be declared!	
Freitoleranz nach General tolerance		CAD - Zeichnung, keine manuellen Änderungen CAD - drawing, no manual modifications allowed	1 Verwendung: First Use:
Blatt: 1 von 1 Sheet: 1 of 1		Zeichnung Nr. / Drawing No.	
a 23.11.2021 / Index Datum / Blatt Date / Sheet		70.320.1628.0 13K a	
Änderung / Revision		Maße in mm / Dimensions are in mm	
Werkstoff / Material Aluminium beschichtet/coated grau/grey		Tag/Date 17.06.2013	Name Dütsch
Vol. mm ³ Dfl./Srf. mm ²		Elektronische Freigabe Electronic Release	
Ersatz für / Replacement for:		Type Benennung/Title	
wieland		revos BASIC	
		GEHAEUSEUNTERTEIL Baugröße 16 offen open housing size 16	