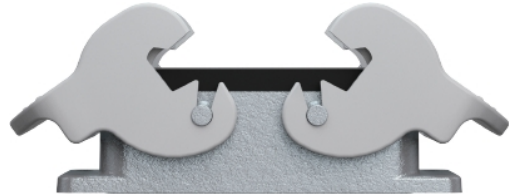


Data sheet

Commercial Art.No.: 70.320.1028.0

bottom BAS GUT GA 10 A

Bottom-base revos basic made of aluminum, with double locking lever or screw cap, low version, 10-poles



Commercial Art.No.	70.320.1028.0
EAN	4015573220058
Order Unit	1

certificates / approvals



Technical data

general

housing material	aluminum
color	grey
surface	with powder coating
degree of protection (IP)	IP54
UV resistant	yes
flammability class of insulation material acc. with UL94	other
operating temperature range min.	-40 °C
operating temperature range max.	120 °C

model

construction	10
model of the housing	equipment mounted (feed-through)
locking mechanism	double locking levers
cable entry	none
type of cable	none
with cable screw gland	no
thread size PG	
hinged lid	no
EMC-version	no
length	93 mm
width	43 mm
height	28 mm

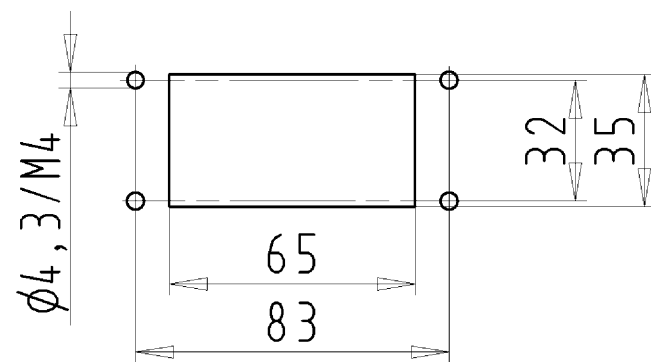
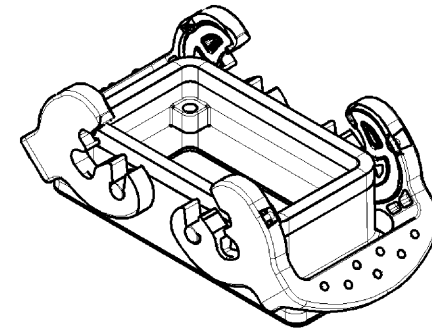
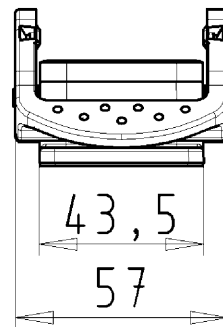
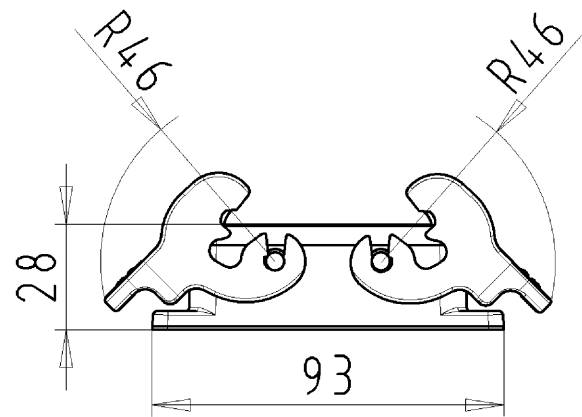
classification

ECLASS 11	
ECLASS 8.1	27440202
ETIM 9.0	EC000437
ETIM 8.0	EC000437
ETIM 7.0	EC000437
ETIM 6.0	EC000437
ETIM 5.0	EC000437

ETIM 4.0	EC000437
----------	----------

product compliance

ROHS conformity status	compliant
REACH-SVHC conformity status	compliant



Bohrbild
/cut out

70.320.1028.0	BAS GUT GA 10 A
Bestellnummer /Order number	Typ /Type

Weitere Daten siehe KATALOG oder eKatalog. Additional data see CATALOG or eCatalog. www.wieland-electric.com
eshop.wieland-electric.com

Tolerierung Size ISO 14405 (Tolerance system Size ISO 14405). (This ISO-standard describes the envelope principle. According to the envelope principle the deviations of form and parallelism are limited by the size tolerances).		ja/yes <input checked="" type="checkbox"/> Stoffverbots- und Deklarationsliste nach UU-TQM-05/03 ist einzuhalten. Conformity with Wieland document UU-TQM-05/03 (list of prohibited / declarable hazardous substances) to be declared!	
Freitoleranz nach - General tolerance		CAD - Zeichnung, keine manuellen Änderungen CAD - drawing, no manual modifications allowed	1. Verwendung: - First Use:
		Blatt: 1 von 1 Sheet: of 1	
		Zeichnung Nr./Drawing No. 70.320.1028.0 13K	
		Index	
		Maße in mm/Dimensions are in mm	
		Ersatz für/Replacement for: -	
		Benennung/Titel GEHAEUSEUNTERTEIL	
		Baugröße 10 offen OPEN HOUSING size 10	
		Type revos BASIC	
		Werkstoff/Material Aluminium beschichtet/coated grau/grey	
		2013 Tag/Date Name gezeichnet/drawn 11.06. Dvetsch geprüft/checked - - Normgepr. Stand. check - -	
		Vol. mm ³ Ofl./Surf. mm ²	
		Maßstab/Scale 1:2	
		wieland Elektrische Verbindungen	
Index Datum / Blatt Date / Sheet			
Änderung/Revision			

Weitergabe sowie Vervielfältigung dieses Dokuments, Verwertung und Mitteilung seines Inhalts sind verboten, soweit nicht ausdrücklich gestattet.
The reproduction, distribution and utilization of this document as well as the communication of its contents to others without express authorization is prohibited.

703201028013K_2 CADW/3028 Treshan 2013-09-20T11:18:41 1.000