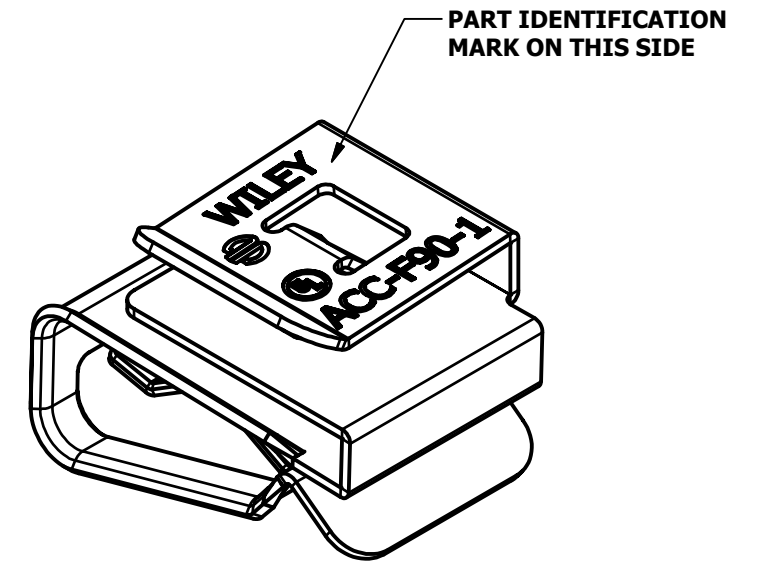
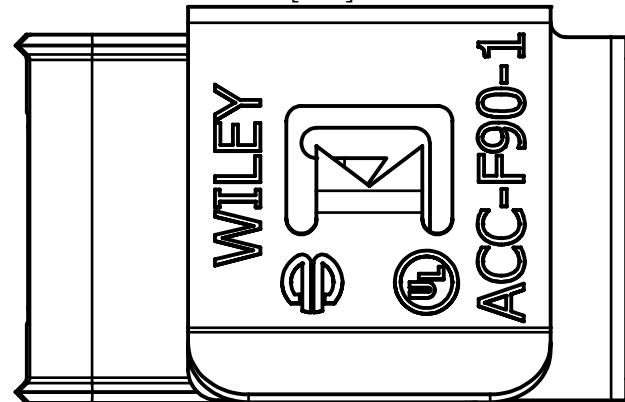
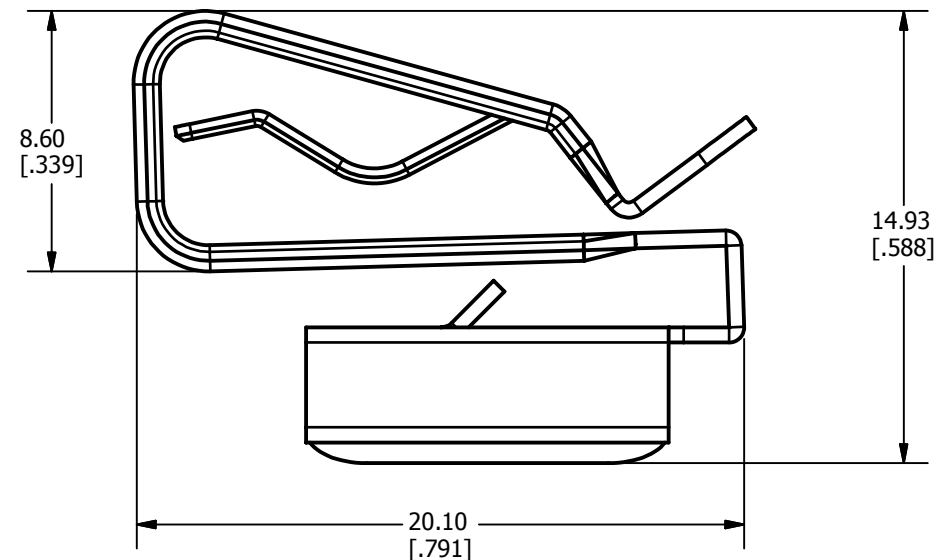
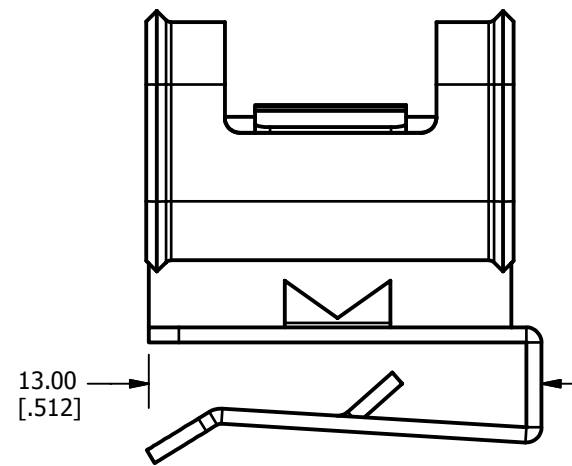
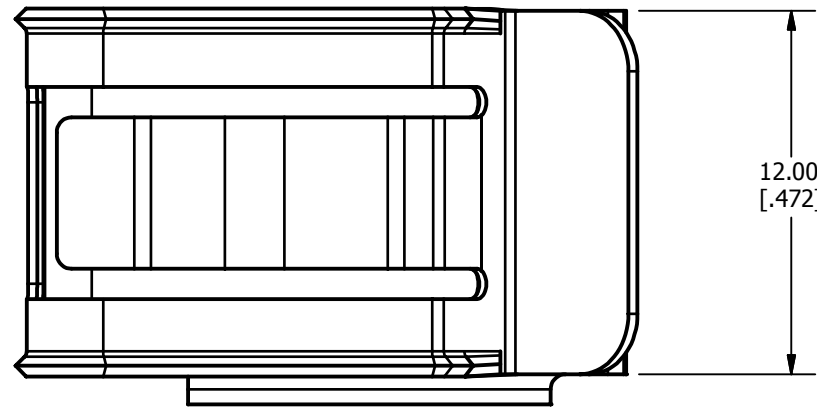


REV	DATE	DESCRIPTION	ECO	BY	CHK.
B	7/9/2015	MARKING UPDATED	40912	GN	SD



3D VIEWS

NOTES:

1. MATERIAL: 304 STAINLESS STEEL.
2. DIMENSIONS IN BRACKETS [] ARE IN INCHES ROUNDED OFF TO THE NEAREST TENTH, UNLESS OTHERWISE SPECIFIED AND ARE FOR REFERENCE ONLY.
3. DESIGNED TO HOLD UP TO (2) USE-2 WIRES OR UP TO (2) PV WIRES.
4. LISTED TO UL1565 STANDARD FOR POSITIONING DEVICES.

TO ORDER BURNDY PRODUCTS CALL		ACME CABLE CLIP	
UNITED STATES		ITEM NO: 50042497	
1-800-346-4175 (LONDONDERRY, NH)		CAT. NO: ACC-F90-1	
CANADA:		DRAWN BY: GNATHR 07/9/2015	
1-800-361-6975 (QUEBEC)		CHECKER: E MARTIN 08/27/2015	
1-800-387-6487 (ALL OTHER PROVINCES)		DSN APRVL: E MARTIN 08/27/2015	
FOR PRODUCT INFO: http://www.burndy.com		MFG APRVL: [blank]	
		QA APRVL: C KOWALCZYK 08/27/2015	
		MKT APRVL: S PARSONS 09/17/2015	
PROD FAM:	DRAWING NO	REV	
PROJECT #:	50042499	B	
DOCUMENT TYPE: SALES	SIZE		
REL LEVEL: Released	B		
		SHEET 1 OF 1	