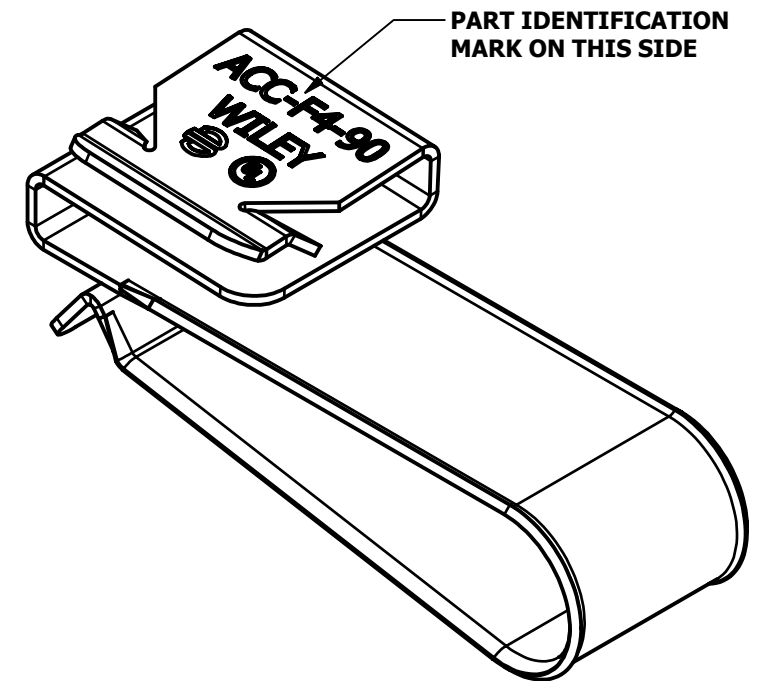
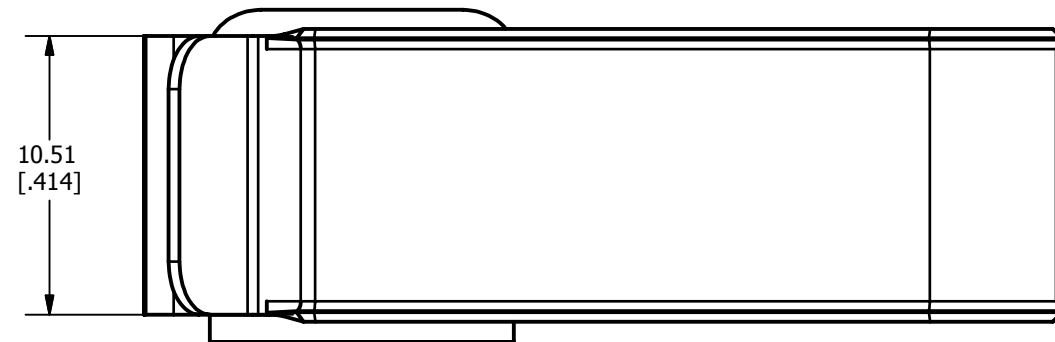
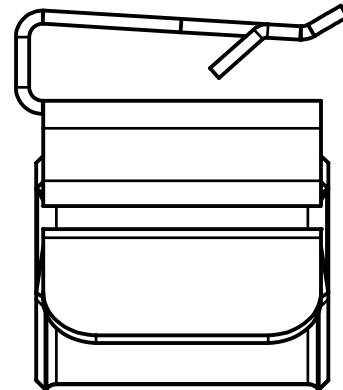
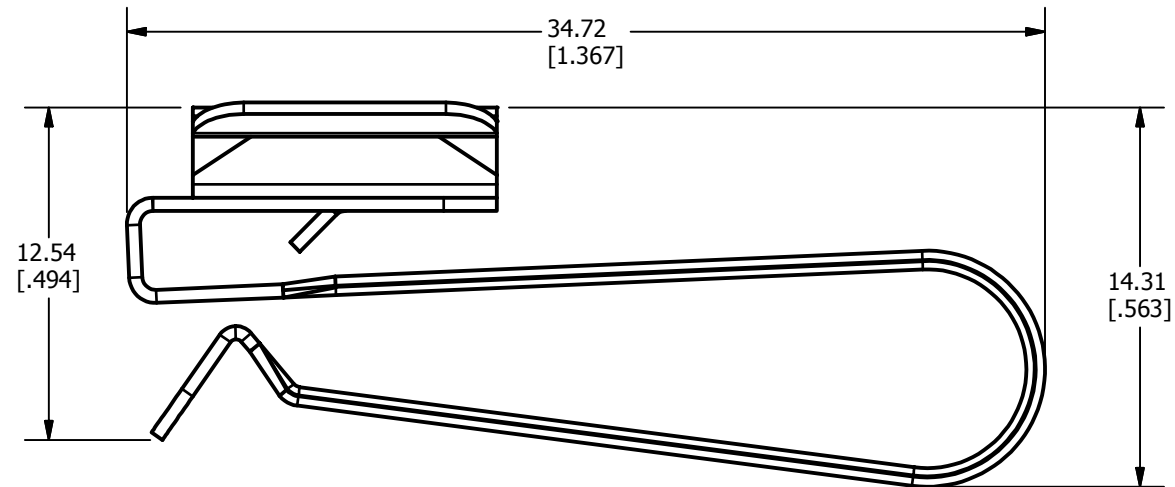
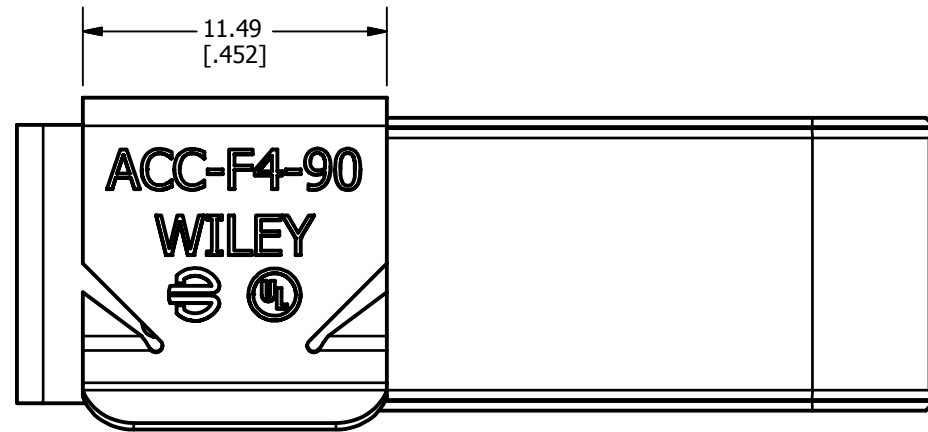


REV	DATE	DESCRIPTION	ECO	BY	C'H'K.
D	7/9/2015	MARKING UPDATED	40912	GN	SD



**3D VIEW**

**NOTES:**

1. MATERIAL: 304 STAINLESS STEEL.
2. DIMENSIONS IN BRACKETS [ ] ARE IN INCHES ROUNDED OFF TO THE NEAREST TENTH, UNLESS OTHERWISE SPECIFIED AND ARE FOR REFERENCE ONLY.
3. DESIGNED TO HOLD UP TO (4) USE-2 WIRES OR UP TO (4) PV WIRES.
4. LISTED TO UL1565 STANDARD FOR POSITIONING DEVICES.

TO ORDER BURNDY PRODUCTS CALL		ACME CABLE CLIP	
UNITED STATES		ITEM NO: 50042503	
1-800-346-4175 (LONDONDERRY, NH)		CAT. NO: ACC-F4-90	
CANADA:		DRAWN BY: GNATHR 07/9/2015	
1-800-361-6975 (QUEBEC)		CHECKER: E MARTIN 08/27/2015	
1-800-387-6487 (ALL OTHER PROVINCES)		DSN APRVL: E MARTIN 08/27/2015	
FOR PRODUCT INFO: <a href="http://www.burndy.com">http://www.burndy.com</a>		MFG APRVL: [blank]	
		QA APRVL: C KOWALCZYK 08/27/2015	
		MKT APRVL: S PARSONS 09/17/2015	
PROD FAM: WILEY	DRAWING NO	REV	
PROJECT #:	SIZE	50042750	
DOCUMENT TYPE: SALES	B	D	
REL LEVEL: Released	SHEET 1 OF 1		