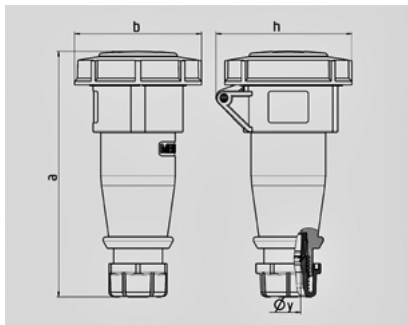


Connector - Part no. 2177A


- screw terminals
- with highly heat resistant contact carrier
- nickel plated contacts
- single part body
- cable gland and sealing
- strain relief and protection against kinking

Technical information

| | |
|-----------------------|---|
| Ampere | 32 A |
| Poles | 4p |
| Voltage | 380-440V |
| Earth position | 3 h |
| Hertz | 50-60 Hz |
| Connection technology | Screw terminals |
| Contact | nickel plated contacts, highly heat resistant contact carrier |
| Protection type | IP 67 |



| Drawing 3 MB 62 | Amp. Poles | 16 | | | 32 | | |
|--------------------------|---------------|------|------|------|-----|-----|-----|
| | | 3 | 4 | 5 | 3 | 4 | 5 |
| Dim. in mm | a | 146 | 166 | 172 | 212 | 212 | 213 |
| | b | 72 | 79 | 89 | 96 | 96 | 102 |
| | h | 80 | 88 | 95 | 98 | 98 | 105 |
| | y | 14,5 | 16 | 16 | 22 | 22 | 22 |
| Terminal for cond. cross | | 1 | 1 | 1 | 2,5 | 2,5 | 2,5 |
| section (mm²) min.-max. | | -2,5 | -2,5 | -2,5 | -6 | -6 | -6 |